

The MCS and small wind technical standards

MCS: microgeneration certification scheme

David Sharman

david.sharman@ampair.com

INDEPENDENTLY TESTED WIND TURBINE	
Manufacturer Model	
Least Noise	A
Most Noise	
Energy Production (kWh/year) at 5 m/s average wind speed	325
<small>Actual Production will depend on how the turbine is controlled and where it is located.</small>	
Duration tested at (m/s average wind speed)	5
Noise (How do we measure this?) (dB(A) re 1 pW)	
<small>Wind speeds apply to hub height Further information is contained in product brochures and test reports, see <labelling website></small>	
	IEA RECOMMENDED PRACTICE X.X


Approved installer



UK Microgeneration Certification Scheme

sponsored by **dti**






BWEA small wind turbine standard, 2007

Certified by
BRE

Reference Annual Energy **6,780 kWh**

Annual average wind speed of 5 m/s (11 mph). Your performance may vary.



SWCC
Rated Annual Energy

6,780 kWh

Annual average wind speed of 5 m/s (11 mph). Your performance may vary.



MCS basics

- Principles

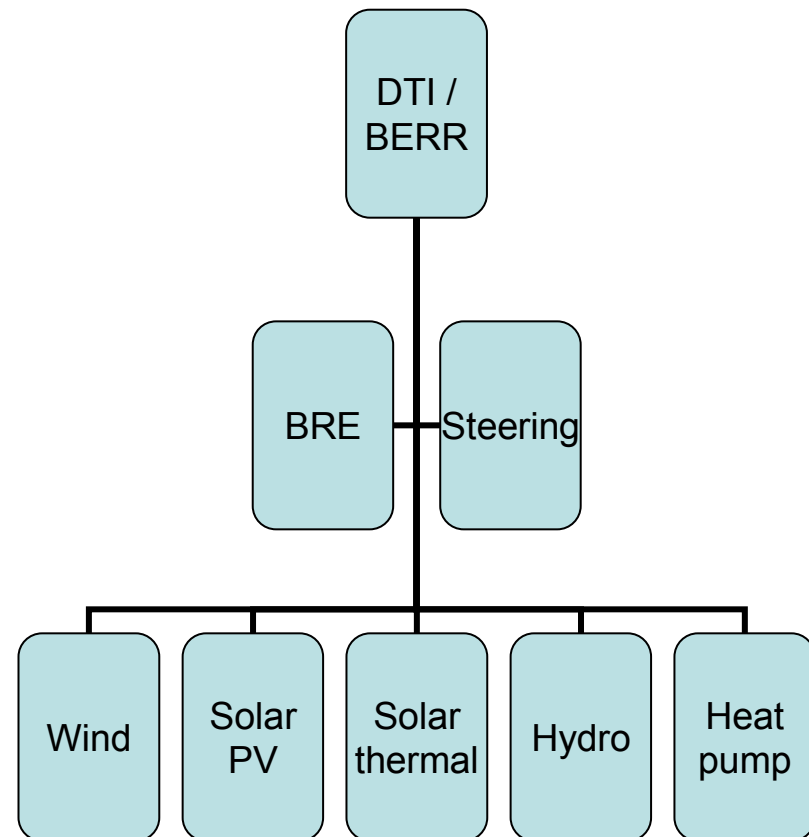
- Independent certification
- Code of conduct
- Self financing
- Beneficial to consumer
- In place mid 2007

- Steering committee:

- BWEA, EST, REA, MPC, STA, etc

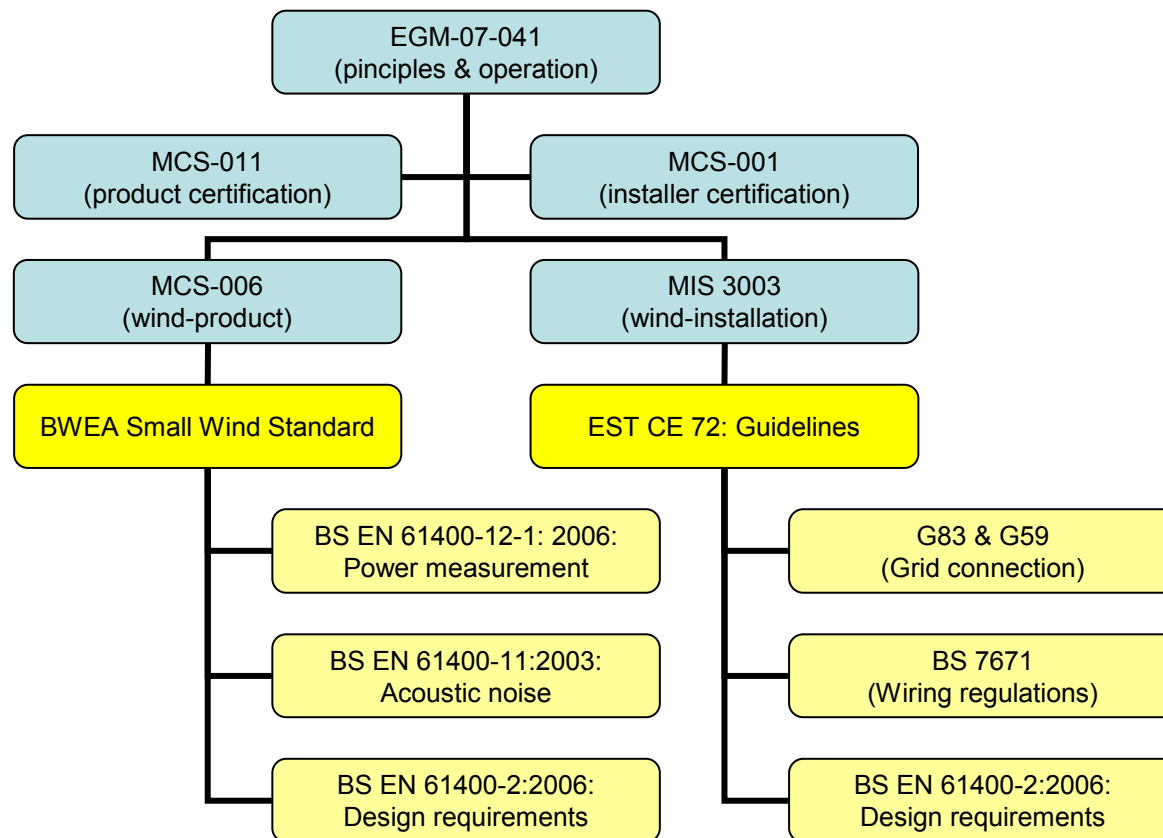
- Wind sub-committee

- Ampair, Proven, QR, Marlec, Iskra, (Windsave)
- Sundog, Centrica, Ecotricity,
- TUV-NEL, EST, BRE, DTI, NaREC



MCS wind details

- Installer fee £1800
 - -£900 subsidy
 - +£600 per extra technology
 - £1000 annual
- Product fee £1800
 - £0 subsidy
 - £1000 annual
- 2008+
 - £350 listing fee
 - Other body fee



MCS status

Name change

- MCS: Microgeneration Certification Scheme (not limited to UK) + BERR logo

Installers

- Installer scheme launched May 07; over 300 applicants
- First certificates have been awarded and many of the assessments are underway
- Those on Clear Skies list who do not apply by 31 January 2008 not eligible for LCBP

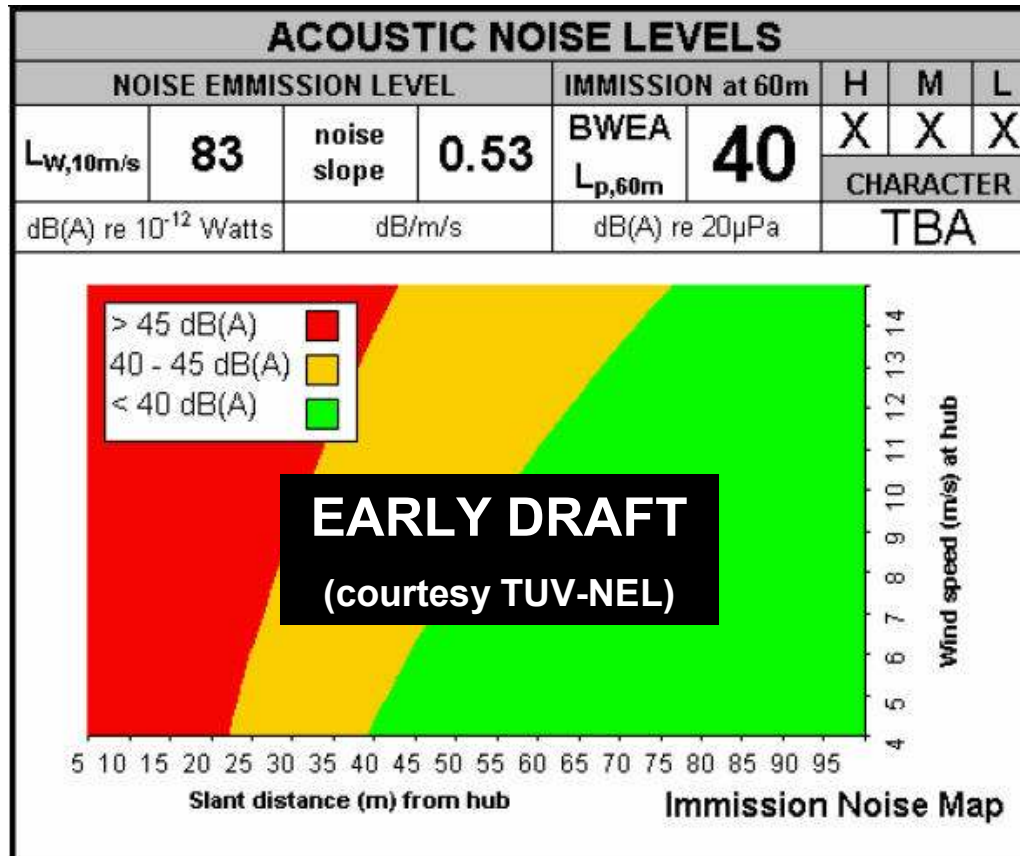
Products

- BERR notified Microgeneration Certification Scheme (products) to the European Commission, under the Technical Standards Directive (98/34/EC): assessment is ongoing
- Meanwhile practical application of the standards under the scheme will continue **but the Microgeneration Scheme Certification Mark cannot be used**
- For LCBP grants BERR will accept product certificates issued by BRE, as well as products already listed on the Clear Skies product list

Chris Beedel, BRE (30 Nov '07)



Noise and the GPDO



- Noise is an issue
- Close to an industry led solution
- Very clear test protocol
- Very tight acceptable criteria
- GPDO might be law:
 - April '08
 - October '08

International harmonisation

